

All of the information herein is the exclusive proprietary property of Maxcess International, and is disclosed with the understanding that it will be retained in confidence and will neither be duplicated nor copied in whole or in part nor be used for any purpose other than for which disclosed.

Copyright 2011, 2018 all rights reserved.

Periodically there will be updates to this manual. The latest version is available on our website or by calling your regional office listed on the back page of this publication.

INTRODUCTION

The MAGPOWR Model PS90 is an isolated controllable current regulator for 90 VDC magnetic particle clutches and brakes. The PS90 also provides a small amount of reverse current to minimize the drag torque of the clutch / brake.

The Model PS90 has four jumper selectable current ranges. Maximum outputs for the individual ranges are 0.125, 0.25, 0.5 and 1.0 ADC. The appropriate range is determined by the current rating of the clutch or brake to be controlled. For best torque control resolution, the lowest current range providing sufficient current for maximum operating torque should be selected.

The PS90 accepts either a remote adjustment potentiometer, or a 0 to 10 VDC analog control signal. Connections are provided for an external 1 mADC current meter. The meter display will indicate output current as a percentage of the output range selected.

The control circuits are electrically isolated from the power circuits.

INSTALLATION

The PS90 is intended for installation on a vertical panel with a DIN 35 rail, with the wiring terminals facing down. Figure 1 shows the enclosure dimensions.

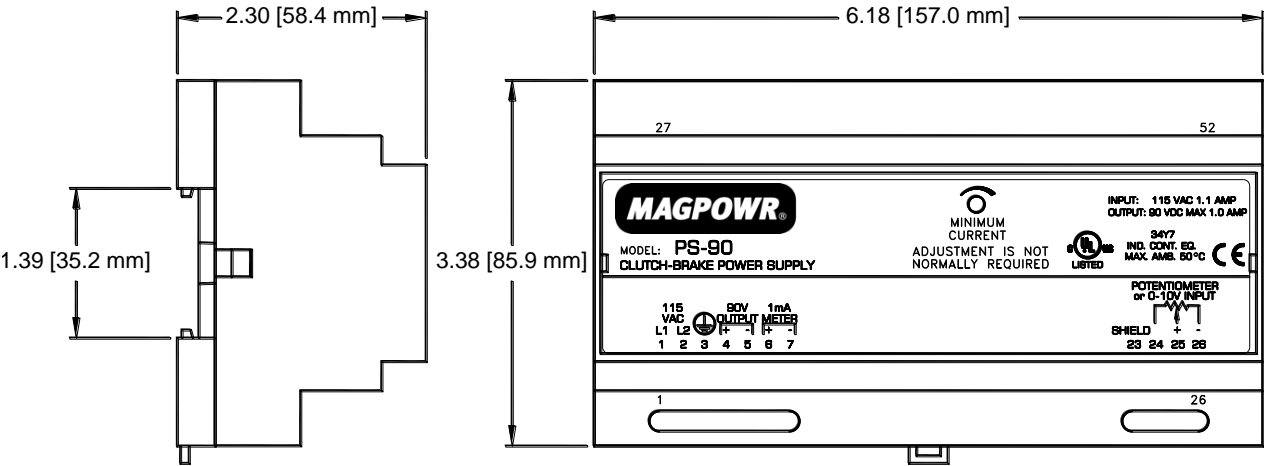


Figure 1. Enclosure Dimensions

SETUP

Remove the enclosure top by inserting a flat blade screwdriver under the retaining tabs in the base (See Figure 2). Set the JP1 current range selection jumpers to the range appropriate for the clutch / brake connected to the PS90 (See Figure 3 for current range settings). The factory setting is 1/8 amp range. Replace the enclosure top.

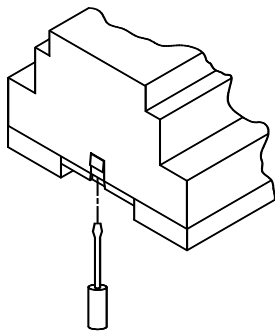


Figure 2.
Removing Enclosure Top

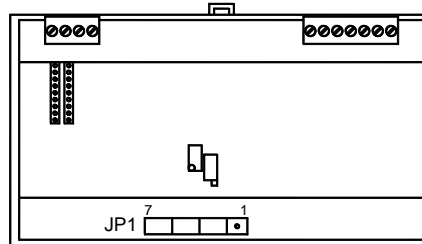


Figure 3.
JP1 Current Range Settings

JP1 CURENT RANGE							
AMP	7	6	5	4	3	2	1
1/8	•	•	•	•	•	•	•
1/4	•	•	•	•	•	•	•
1/2	•	•	•	•	•	•	•
1	•	•	•	•	•	•	•

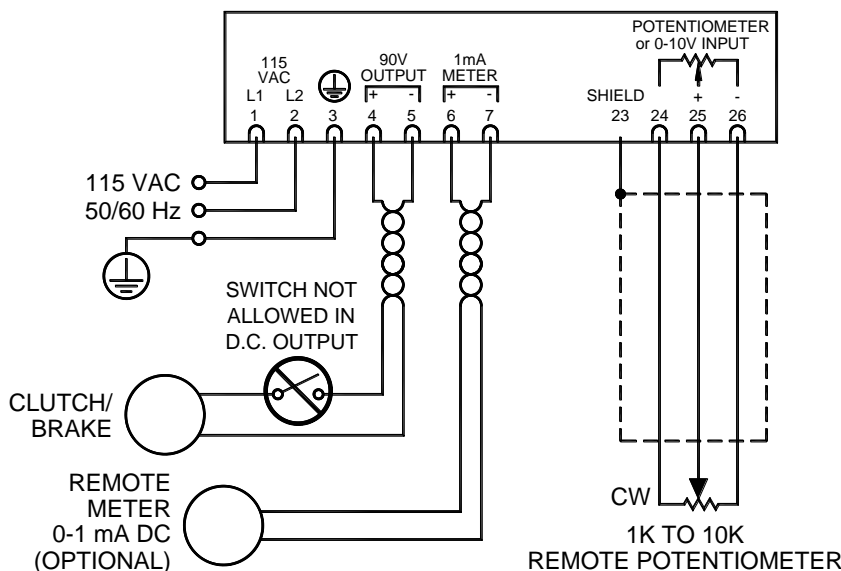
ELECTRICAL CONNECTIONS

Wiring to and from the PS90 must be done with double or reinforced insulation or protective screening which provides protective separation. All wiring should comply with the essential requirements of the appropriate standard(s) and is the responsibility of the installer.

Route AC power away from control wiring. The clutch / brake wires and the remote meter wires should be twisted pair. Run the signal input wiring in shielded cable. Connect the shield to the provided terminal marked SHIELD. The maximum shield length and maximum length of wires outside of the shield is 3.0 inches. (75 mm).

When using a 0 to 10 VDC input instead of a potentiometer, connect the negative of the input to terminal 26 and the positive of the input to terminal 25.

The 90 VDC output and the remote meter output are not isolated from the AC line and must not be ground referenced. The potentiometer input is isolated and may be ground referenced.



Required connections:

- 115 VAC power
- 90 VDC output for clutch/brake
- 1 to 10 kohm Potentiometer

Figure 4. Wiring Connections

MAINTENANCE

The only maintenance that may be required on the TSA is fuse replacement. See specifications on next page.

Remove AC power, and then open the enclosure by inserting a flat blade screwdriver under the retaining tabs in the base (See Figure 2 on previous page). Replace fuse and reassemble.

The enclosure must be re-installed to maintain the IP rating.

TROUBLESHOOTING

Symptom	Possible Cause	Solution or Diagnostic
No clutch / brake output.	No AC power.	Verify incoming power is correct voltage and frequency.
	Fuses blown.	Clutch / brake wires shorted together or shorted to ground.
	Clutch / brake wires open circuit.	Disconnect clutch / brake wires at the PS90 and check for proper clutch / brake resistance between the wires.
	Remote potentiometer or external power supply not wired correctly, or shorted together.	Voltage between terminal 24 and 26 should be 10 VDC. Voltage between terminal 25 and 26 should vary from 0 to 10 VDC as the potentiometer or external 0 to 10 VDC power supply is moved through its range of travel.
Remote meter not working.	Incorrect type of meter.	Meter should be a current meter with 1 mA full scale and no more than 3 kohm resistance.
	Meter wires shorted or open.	Disconnect meter wiring at the PS90 and check for proper meter resistance between the wires.

OPTIONS

The PS90 is factory adjusted to provide full reverse current with 0 VDC input. If some other current is desired with 0 VDC input or the minimum remote potentiometer setting, the minimum current potentiometer may be adjusted by cutting out the hole shown on the label and then using a trimpot adjustment tool. Modifying this setting will cause the clutch / brake drag torque to be higher than expected and is not recommended.

SPECIFICATIONS

Supply Voltage:	115 VAC, +/- 10%, 50/60 Hz, 1.1 amp maximum, sinusoidal
Fuses: F1, F2	1.6 amp slow-blow, Littelfuse Part No. 21501.6, or Cooper-Bussman Part No. S505-1.6-R
Enclosure:	IP20
Climatic Class:	3K3 (EN60721)
Temperature Range:	
Operating:	0° C to 50° C
Storage:	-30° C to 80° C
Relative Humidity:	5% to 85%
Pollution Degree:	2 (IEC664-1)
Altitude:	0 to 2000 m
Compatible Residual Current Device Types:	A or B (IEC755)
Worst Case Fault Current:	1.6 amp
Inputs:	
Signal	Potentiometer: 1 to 10 kohm, ¼ watt minimum, or Voltage: 0 to 10 VDC, 100 kohm input impedance
Outputs:	
Clutch / Brake	
Voltage:	-3 to 90 VDC, full wave, phase controlled
Current:	Adjustable in four ranges: -0.004 to 0.125 ADC -0.008 to 0.25 ADC -0.016 to 0.5 ADC -0.032 to 1.0 ADC
Regulation:	< 1% of range
Current Drift:	0.024 %/° C
Meter Signal:	0 to 1 mADC, +/-2% into 3 kohm maximum
Potentiometer Supply Voltage:	10 VDC +/-2%, 10 mADC maximum

SERVICE REQUESTS AND REPLACEMENT PARTS

To request service or to get replacement parts, contact one of the following addresses:

Fife Corporation
222 West Memorial Rd.
Oklahoma City, OK, 73114, USA
Phone: 1-405-755-1600
Fax: 1-405-755-8425
Web: www.maxcessintl.com

Fife-Tidland GmbH
Fife-Tidland GmbH
Max-Planck-Strasse 8
65779 Kelkheim
Deutschland
Telefon: +49.6195.7002.0
Fax: +49.6195.7002.933
Web: www.maxcess.eu

OR
Siemensstrasse 13-15
48683 Ahaus
Deutschland



AMERICAS
Tel +1.405.755.1600
Fax +1.405.755.8425
sales@maxcessintl.com
www.maxcessintl.com

EUROPE, MIDDLE EAST
AND AFRICA
Tel +49.6195.7002.0
Fax +49.6195.7002.933
sales@maxcess.eu
www.maxcess.eu

CHINA
Tel +86.756.881.9398
Fax +86.756.881.9393
info@maxcessintl.com.cn
www.maxcessintl.com.cn

INDIA
Tel +91.22.27602633
Fax +91.22.27602634
india@maxcessintl.com
www.maxcess.in

JAPAN
Tel +81.43.421.1622
Fax +81.43.421.2895
japan@maxcessintl.com
www.maxcess.jp

KOREA, TAIWAN,
AND SE ASIA
asia@maxcessintl.com
www.maxcess.asia