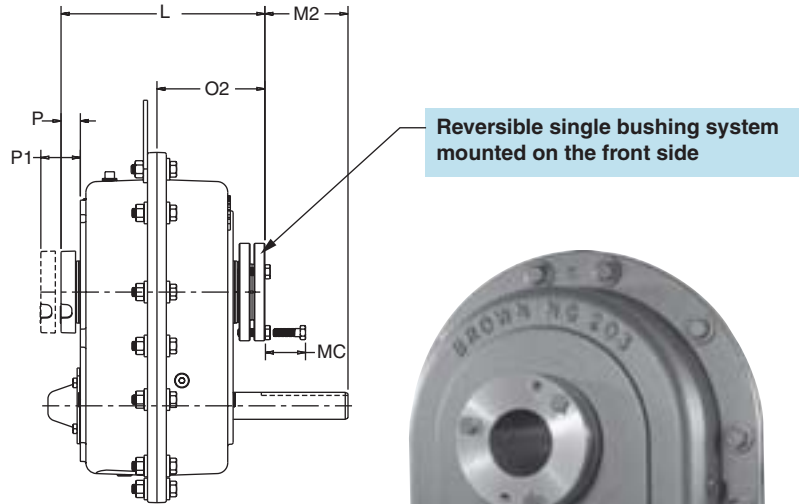
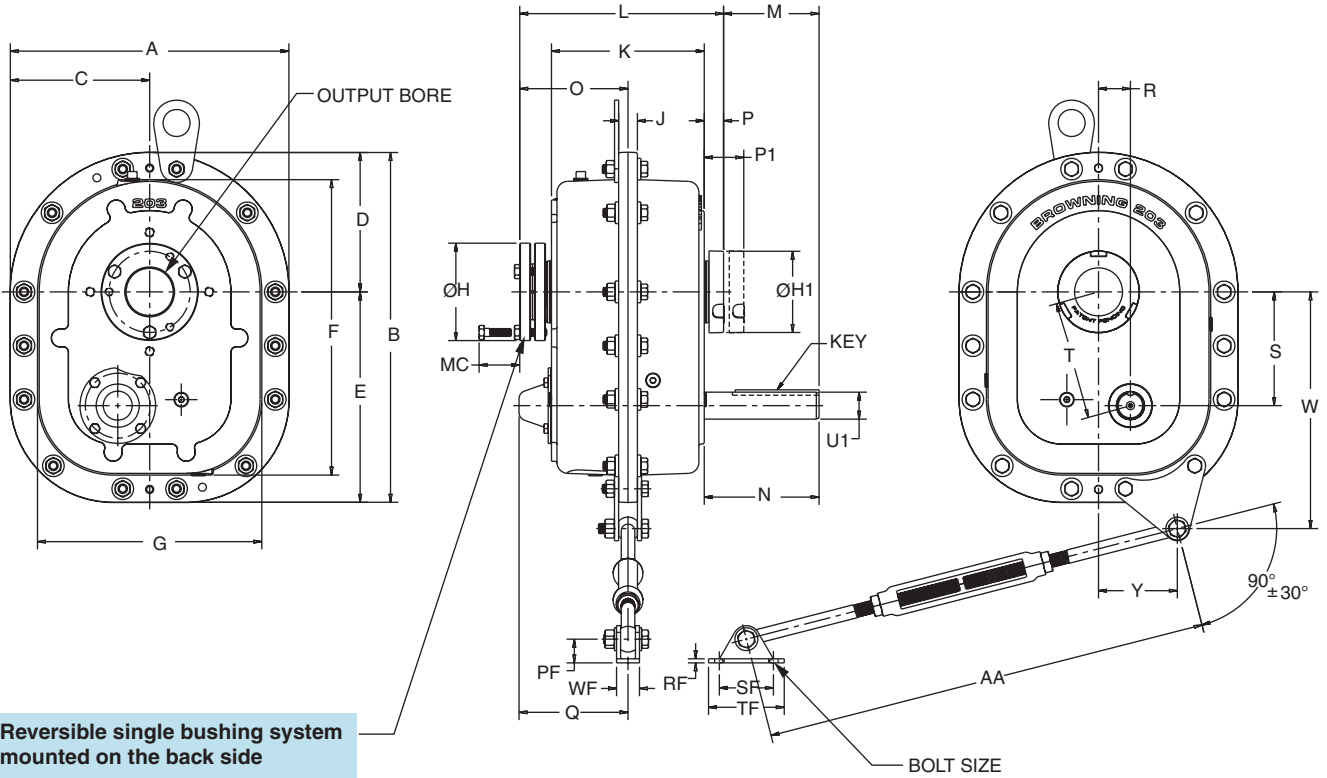
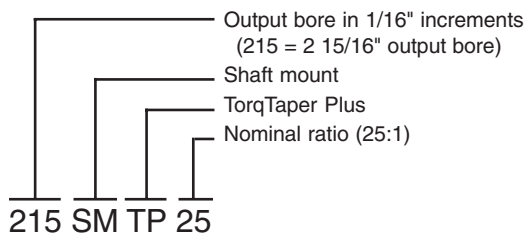


Type SMTP TorqTaper Plus Unit Sizes 107-315



Part Number Explanation



Type SMTP TorqTaper Plus Unit Sizes 107-315

Table No. 3

| PART NO. ★ | DIMENSIONS IN INCHES | | | | | | | | | |
|------------|----------------------|-------|------|------|-------|-------|-------|------|------|------|
| | A | B | C | D | E | F | G | H | H1 | J |
| 107SMTP | 9.76 | 12.07 | 4.88 | 4.88 | 7.19 | 10.07 | 7.75 | 3.25 | 3.00 | 0.63 |
| 115SMTP | 11.00 | 14.08 | 5.50 | 5.50 | 8.58 | 11.78 | 8.69 | 4.13 | 3.50 | 0.75 |
| 203SMTP | 12.88 | 16.16 | 6.44 | 6.44 | 9.72 | 13.66 | 10.38 | 4.50 | 3.75 | 0.87 |
| 207SMTP | 14.50 | 18.47 | 7.25 | 7.25 | 11.22 | 15.73 | 11.76 | 4.88 | 4.25 | 1.01 |
| 215SMTP | 16.25 | 20.88 | 8.13 | 8.13 | 12.76 | 18.07 | 13.44 | 5.31 | 4.75 | 1.07 |
| 307SMTP | 19.04 | 24.37 | 9.52 | 9.52 | 14.85 | 21.00 | 15.67 | 6.44 | 5.69 | 1.25 |
| 315SMTP | 19.90 | 26.35 | 9.95 | 9.95 | 16.40 | 23.02 | 16.57 | 7.13 | 6.70 | 1.25 |

| PART NO. ★ | DIMENSIONS IN INCHES | | | | | | | | | |
|------------|----------------------|-------|------|------|------|------|------|------|------|------|
| | K | L | M | M2 | MC | N | O | O2 | P | P1 |
| 107SMTP | 5.52 | 7.89 | 3.18 | 2.61 | 1.75 | 4.08 | 4.25 | 4.21 | 0.90 | 1.84 |
| 115SMTP | 5.99 | 8.36 | 3.34 | 2.77 | 1.88 | 4.24 | 4.48 | 4.45 | 0.90 | 1.83 |
| 203SMTP | 7.07 | 9.43 | 4.42 | 3.84 | 1.88 | 5.31 | 5.01 | 4.99 | 0.89 | 1.83 |
| 207SMTP | 7.39 | 9.75 | 4.23 | 3.65 | 1.88 | 5.12 | 5.14 | 5.19 | 0.89 | 1.86 |
| 215SMTP | 8.24 | 10.85 | 4.85 | 4.28 | 1.88 | 5.87 | 5.69 | 5.74 | 1.02 | 1.96 |
| 307SMTP | 9.27 | 12.57 | 6.09 | 5.47 | 2.25 | 7.45 | 6.58 | 6.61 | 1.36 | 2.75 |
| 315SMTP | 10.51 | 14.50 | 6.59 | 5.96 | 2.75 | 8.32 | 7.51 | 7.61 | 1.73 | 3.25 |

| PART NO. ★ | DIMENSIONS IN INCHES | | | | | | | | | |
|------------|----------------------|------|------|------|------|------|------|------|------|-------|
| | PF | Q | R | RF | S | SF | T | TF | U1 | W |
| 107SMTP | 1.09 | 4.24 | 1.18 | 0.19 | 3.77 | 2.50 | 3.95 | 3.50 | 0.75 | 7.88 |
| 115SMTP | 1.09 | 4.51 | 1.35 | 0.19 | 4.36 | 2.50 | 4.56 | 3.50 | 1.12 | 9.14 |
| 203SMTP | 1.09 | 5.04 | 1.48 | 0.19 | 5.26 | 2.50 | 5.46 | 3.50 | 1.25 | 10.94 |
| 207SMTP | 1.25 | 5.57 | 1.63 | 0.19 | 6.08 | 3.00 | 6.29 | 4.25 | 1.44 | 12.68 |
| 215SMTP | 1.25 | 6.24 | 2.12 | 0.19 | 7.01 | 3.00 | 7.32 | 4.25 | 1.87 | 14.19 |
| 307SMTP | 1.56 | 6.79 | 2.25 | 0.25 | 7.78 | 4.00 | 8.10 | 5.50 | 2.00 | 17.00 |
| 315SMTP | 2.00 | 8.05 | 2.63 | 0.25 | 8.53 | 4.75 | 8.93 | 6.25 | 2.13 | 18.12 |

| PART NO. ★ | DIMENSIONS IN INCHES | | | | | | MAX. OUTPUT BORE | WT. LBS. |
|------------|----------------------|------|-------|-------|-----------|--------------------|------------------|----------|
| | WF | Y | AA | | BOLT SIZE | KEY | | |
| | | | MIN. | MAX. | | | | |
| 107SMTP | 1.06 | 2.73 | 24.00 | 30.00 | 3/8 | .188 x .188 x 2.88 | 1 7/16 | 53 |
| 115SMTP | 1.06 | 3.12 | 24.00 | 30.00 | 3/8 | .250 x .250 x 2.75 | 1 15/16 | 75 |
| 203SMTP | 1.06 | 3.64 | 24.00 | 30.00 | 3/8 | .250 x .250 x 3.88 | 2 3/16 | 112 |
| 207SMTP | 1.19 | 4.16 | 27.00 | 33.00 | 7/16 | .375 x .375 x 3.75 | 2 7/16 | 155 |
| 215SMTP | 1.19 | 4.65 | 27.00 | 33.00 | 7/16 | .500 x .500 x 3.75 | 2 15/16 | 226 |
| 307SMTP | 1.44 | 5.58 | 29.00 | 35.00 | 1/2 | .500 x .500 x 6.50 | 3 7/16 | 367 |
| 315SMTP | 2.69 | 6.20 | 29.50 | 35.50 | 5/8 | .500 x .500 x 7.50 | 3 15/16 | 480 |

★ Complete part number by adding ratio symbol, for example, "107SMTP05".
 NOTE — "05" is symbol for 5:1 nominal ratio; see page 13 for exact ratios and ratio symbols.
 Dimension "MC" is minimum clearance for bushing removal.
 Order bushings from pages 70 thru 72 for shaft size required.

SMTP/SMFP