

XD5000E

XD SERIES Residential Portable Generator EPA/CARB

Features

Model 6864-0 UPC: 696471068641

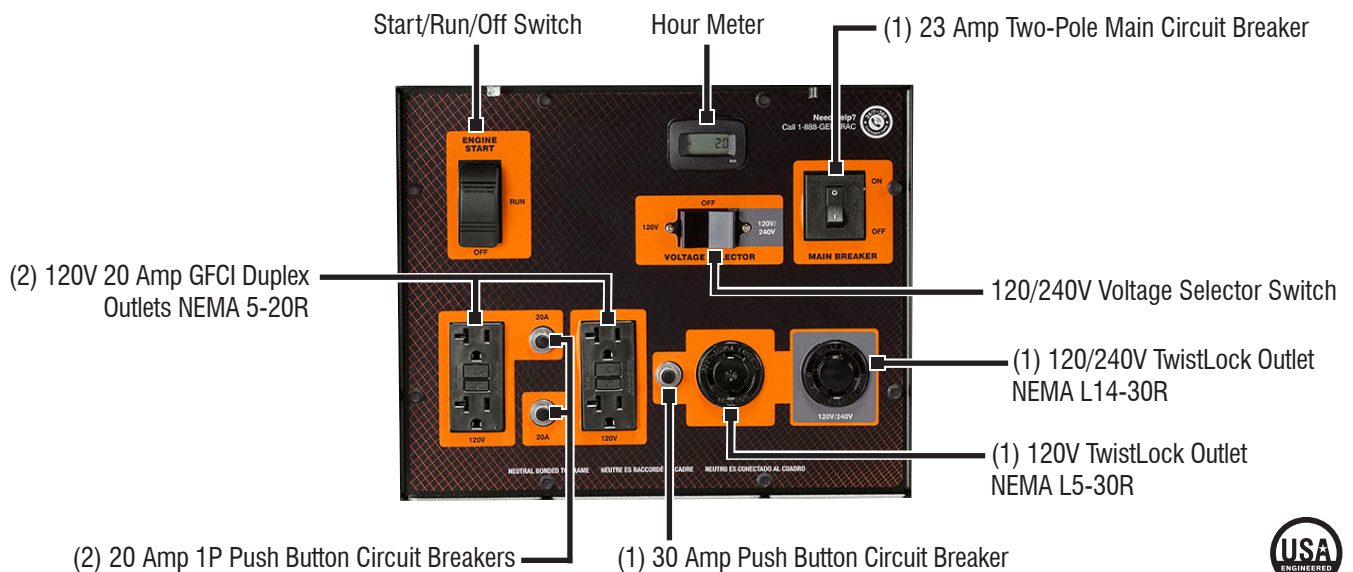
- **Diesel power** requires less maintenance, is more efficient, and provides a long life.
- **Yanmar LW Series 435cc air-cooled direct injection**, EPA Tier IV, industrial-grade engine.
- **Less than 6% total harmonic distortion** for clean, smooth, operation of sensitive electronics, tools, and applications.
- **Large-capacity 12 gallon fuel tank** with fuel gauge provides a long run-time of 32.4 hours at 50% load.
- **Compression release lever** provides easier starting during cold ambient temperatures.
- **Low Oil Pressure Shutdown** automatically safeguards engine from damage.
- **Fuel primer bulb** provides quicker starts when the fuel tank has previously run empty.
- **Durable**, fully welded 1 1/4" steel frame.
- **Integrated lifting eye** provides easy transport and security on the jobsite.
- **120/240V selector switch** provides full 120V power.
- **Single touch electric start** provides hassle-free start-up (battery not included).
- **Hour Meter** with maintenance resets tracks usage and monitors maintenance cycles.



Portability Kit sold separately.

AC Rated Output Running Watts 5000
AC Maximum Output Starting Watts 5500

Control Panel



*Built in the USA using domestic and foreign parts.

XD5000E

Specifications

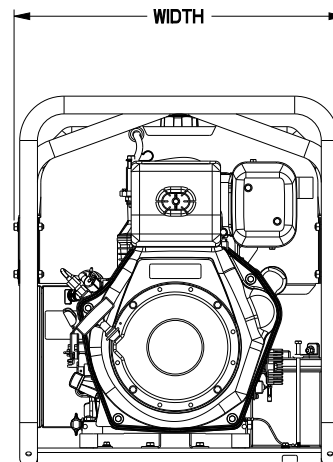
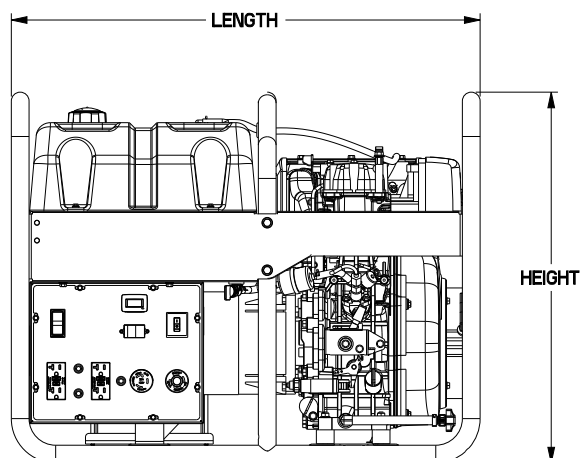
Product Series	XD5000E
Model	6864-0
AC Rated Output Running Watts:	5000
AC Maximum Output Motor Starting Watts:	5500
AC Voltage	120/240
AC Frequency	60 Hz
Rated AC Amperage	41.7 / 20.8
Total Harmonic Distortion	<6%
Battery (sold separately)	Group U1
Engine Displacement	435cc
Engine Type	Air-cooled, 4 cycle, Vertical Cylinder Diesel
Engine RPM	3600
Recommended Oil	SAE 10W-30
Lubrication Method	Pressure
Fuel Shut Off	On Fuel Tank
Starting Method	Electric with Recoil Back-up
Low Oil Shutdown Method	Low Pressure
Neutral Bonded to Ground	Yes
Start Switch Type	Start/Run/Off
Switch Location	On Control Panel
Fuel Gauge	On Cap
Fuel Tank Capacity Ltr (Gal)	45.4 (12)

Run Time at 50% (Hours)	32.4
Warranty - Residential	2 Year Ltd
Warranty - Commercial	2 Year Ltd

Portability Kit	Model 0069100
Handle Style	Folding / Locking
Wheel Type	10.4" (264.1mm) Solid
Carton Length mm (in)	546 (21.5)
Carton Width mm (in)	673 (26.5)
Carton Height mm (in)	140 (5.5)
Unit weight kg (lbs)	11 (24.5)
Shipping Weight kg (lbs)	11 (24.5)

Dimensions and Weights

Length mm (in)	840.74 (33.1)
Width mm (in)	570 (22.5)
Height mm (in)	650 (25.6)
Extended Length mm (in)	905 (35.75) Handle Down
Carton Length mm (in)	861.06 (33.9)
Carton Width mm (in)	608 (24)
Carton Height mm (in)	803 (31.6) with pallet
Unit Weight kg (lbs)	114 (252)
Shipping Weight kg (lbs)	117 (257)



GENERAC[®]

Generac Power Systems, Inc. • P.O. Box 8, Waukesha, WI 53187 • generac.com

©2016 Generac Power Systems, Inc. All rights reserved. All specifications are subject to change without notice. Bulletin 0L3627-D 11/9/16