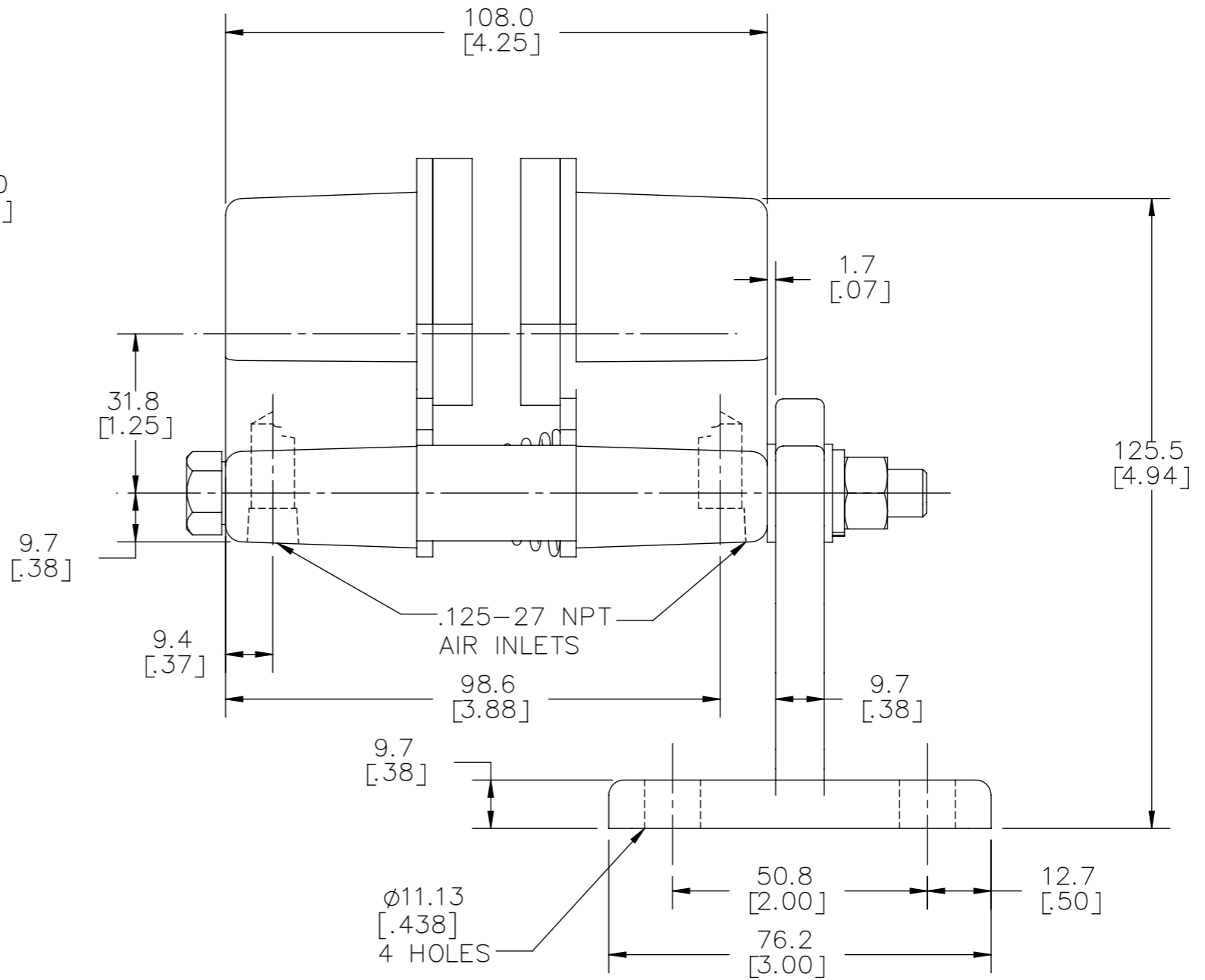
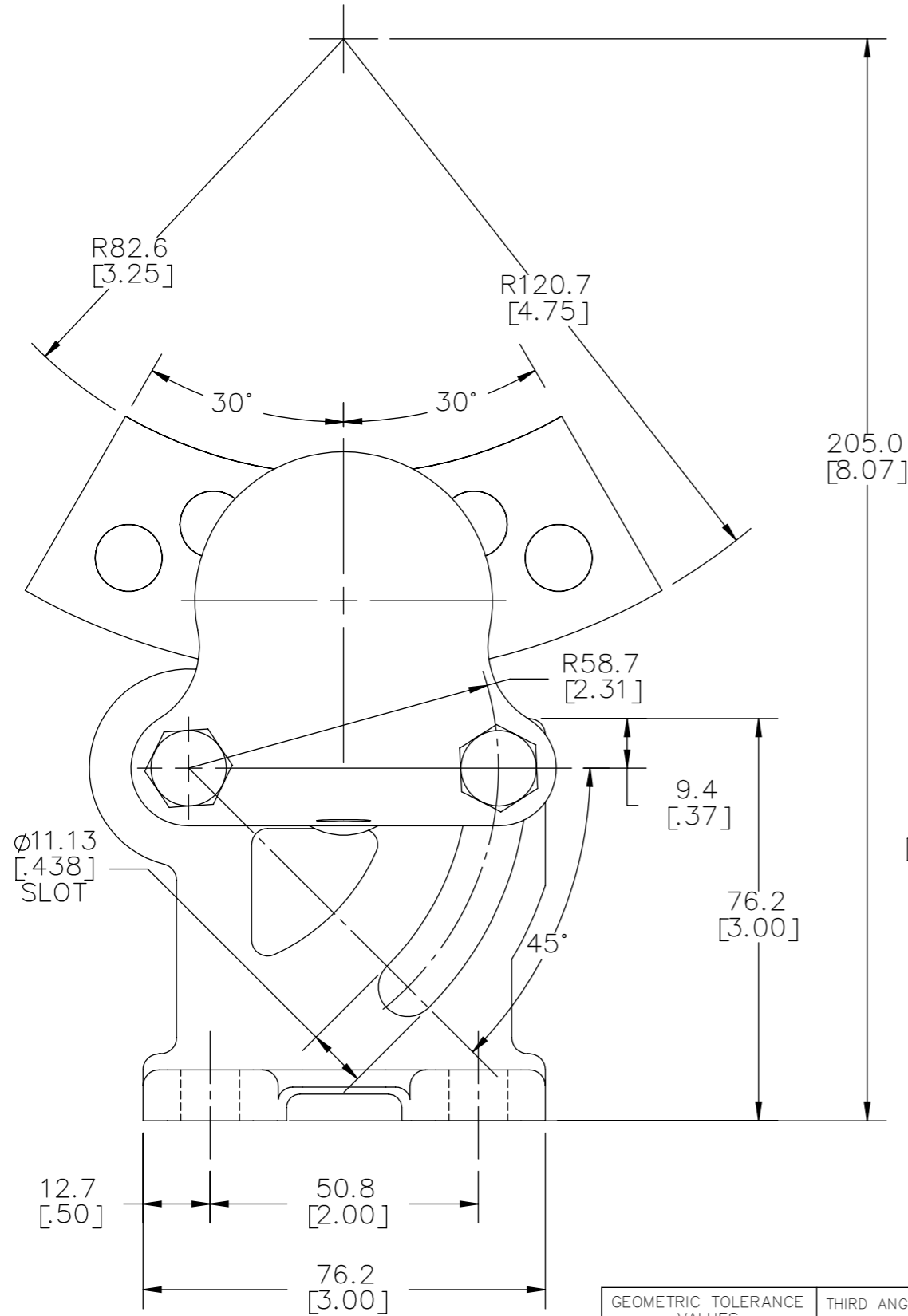


B-835007S



GEOMETRIC TOLERANCE VALUES	
MM	INCH
.013	.0005
.03	.001
.05	.002
.08	.003
.13	.005
.20	.008
.25	.010
.38	.015

THIRD ANGLE PROJECTION	
SURFACE ROUGHNESS VALUES	
$\mu\text{m}$	$\mu\text{in}$
6.3	250
3.2	125
1.6	63
0.8	32
0.4	16
0.2	8

UNLESS OTHERWISE SPECIFIED

- METRIC TOLERANCES: X  $\pm 0.8$ ; .X  $\pm 0.5$ ; .XX  $\pm 0.13$   
INCH TOLERANCES: .XX  $\pm 0.02$ ; .XXX  $\pm 0.005$
- ANGLES  $\pm 5^\circ$
- PRIMARY DIMENSIONS ARE IN MM  
SECONDARY DIMENSIONS ARE IN INCHES
- DO NOT SCALE DWG - WORK TO DIMS
- PRODUCT MUST CONFORM TO ENGINEERING STANDARD WORK INSTRUCTIONS

**nexen** Nexen Group, Inc.

TITLE GENERAL DIMENSIONS			
MODEL DB*CALIPER, LESS DISC, HCO			
		20562	12/3/2014
		ERO	ECO
		DATE	
DWN	TRW	DATE 6/28/2011	SCALE: 7:8 <input checked="" type="checkbox"/>
CHKD	TGH	DATE 6/29/2011	SHEET 1 OF 1
APVD	CDV	DATE 6/30/2011	REV B

B-835007S